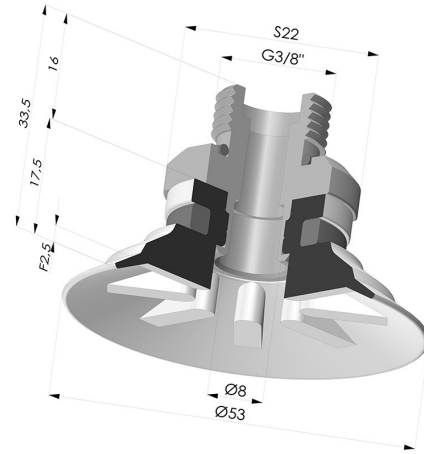


TECHNICAL INFORMATION

Arrow :	2.5 mm
Category :	Plates
Contact lip diameter :	53
Height (in mm) :	33.5
Horizontal force :	96 N
inner barrel diameter :	G3/8
Number of bellows :	0.5 Bellows
Range :	Suction cup
Series :	90
Shape :	Plate
Vertical force :	48 N



Variants:



Variant reference:
90 50SL 38D-2

- Color: Red food-grade CE certification
- Matter: Silicone
- Shore Hardness: SH60



Variant reference:
90 50SLT 38D-2

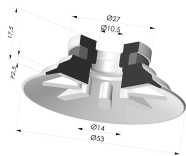
- Color: Translucent
- CE food certified
- Matter: Silicone
- Shore Hardness: SH60



Variant reference:
90 50NI 38D-2

- Color: Black
- Matter: Nitrile
- Shore Hardness: SH50

Related products:



Flat Suction Cup Series 90, Ø 50 mm

Product reference: 90 50-- A



Separable Male Fitting 3/8G

Product reference: 9G38-2