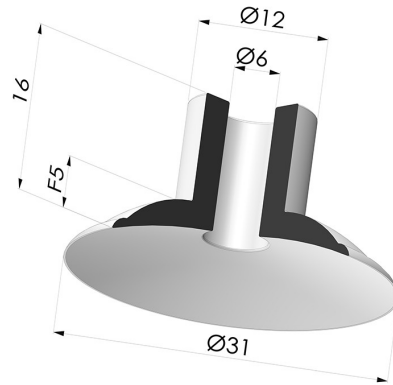


TECHNICAL INFORMATION

Arrow :	5mm
Category :	Plates
Contact lip diameter :	31 mm
Height (in mm) :	16
Horizontal force :	34.3 N
inner barrel diameter :	6 mm
Number of bellows :	0.5 Bellows
Range :	Suction cup
Series :	5
Shape :	Plate
Vertical force :	17.15 N



Variants:



Variant reference:
5 31CN A

- Color: Brown FDA food certified
- Matter: Natural rubber
- Shore Hardness: SH40



Variant reference:
5 31SLB A

- Color: White
- FDA and CE food-grade certified
- Matter: Silicone
- Shore Hardness: SH40



Variant reference:
5 31NI A

- Color: Black
- Matter: Nitrile
- Shore Hardness: SH50



Variant reference:
5 31SLT A

- Color: Translucent
- CE food certified
- Matter: Silicone
- Shore Hardness: SH60

Related products:



Adaptor - Female G1/4" - Female M6

Product reference:
 F14F6



Separable Female Fitting G1/8"

Product reference:
 F18C12L22.5



Adaptor - Male 1/4G - Female M6

Product reference:
 M14F6



Separable Male Fitting G1/8"

Product reference:
 M18C12L22.5



Screw M6 - Head Ø 12 mm - L 23 mm

Product reference:
 M6T12L23