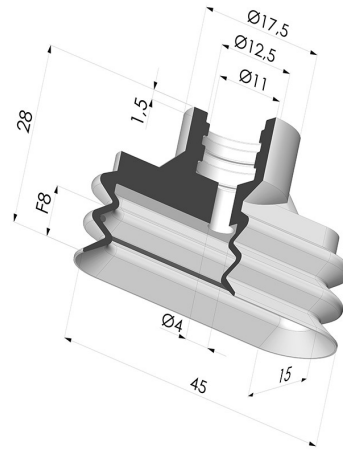


TECHNICAL INFORMATION

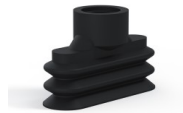
Arrow :	8.00 F
Category :	Oblong
Height (in mm) :	28
Horizontal force :	28.5 N
inner barrel diameter :	11
Length :	45
Mass :	9.5 g
Number of bellows :	2.5 Bellows
Range :	Suction cup
Series :	4VS
Shape :	Oblong 2.5 Bellows
Vertical force :	14.25 N
Volume :	3.9 cm ³
Width :	15



Variants:



- Variant reference:
4VS 45SLT A
- Color: Translucent
 - CE food certified
 - Matter: Silicone
 - Shore Hardness: SH60



- Variant reference:
4VS 45NI A
- Color: Black
 - Matter: Nitrile
 - Shore Hardness: SH50



- Variant reference:
4VS 45MNT A
- Color: Bordeaux
 - Matter: Non-staining material
 - Shore Hardness: SH60

Related products:



Separable Female Fitting 1/4G

Product reference:
 F14C



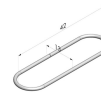
Separable Male Fitting G1/4"

Product reference:
 M14C



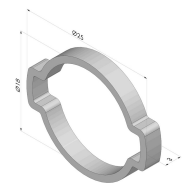
Separable Male Fitting G1/8"

Product reference:
 M18C



Ring for oblong suction cup series 4VS 45

Product reference: 4VS
 45 JONC



Clamps for oblong suction cups 4VS 45 and 4VS 75 series

Product reference: 4VS
 C 20