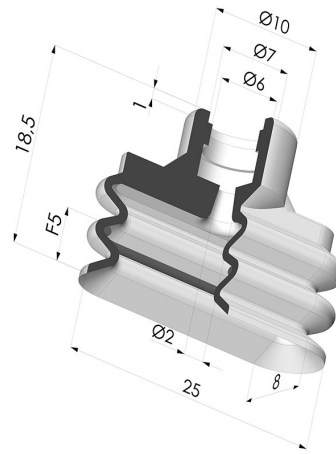


TECHNICAL INFORMATION

Arrow :	5.00 F
Category :	Oblong
Height (in mm) :	18.5
Horizontal force :	8.47 N
inner barrel diameter :	6
Length :	25
Mass :	1.5 g
Number of bellows :	2.5 Bellows
Range :	Suction cup
Series :	4VS
Shape :	Oblong 2.5 Bellows
Vertical force :	4.23 N
Volume :	0.78 cm ³
Width :	8



Variants:



- Variant reference:
4VS 25SLT A
- Color: Translucent
 - CE food certified
 - Matter: Silicone
 - Shore Hardness: SH60



- Variant reference:
4VS 25NI A
- Color: Black
 - Matter: Nitrile
 - Shore Hardness: SH50



- Variant reference:
4VS 25MNT A
- Color: Bordeaux
 - Matter: Non-staining material for plastics processing
 - Shore Hardness: SH60

Related products:



Separable Female Fitting 1/4G

Product reference:
 F14CV



Separable Female Fitting 1/8G

Product reference:
 F18CV



Separable Male Fitting 1/8G

Product reference:
 M18CV



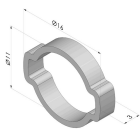
Separable Male Fitting M5

Product reference:
 M5CV



Ring for oblong suction cup series 4VS 25

Product reference: 4VS
 25 JONC



Clamps for oblong suction cups 4VS 25 series

Product reference: 4VS
 C 10