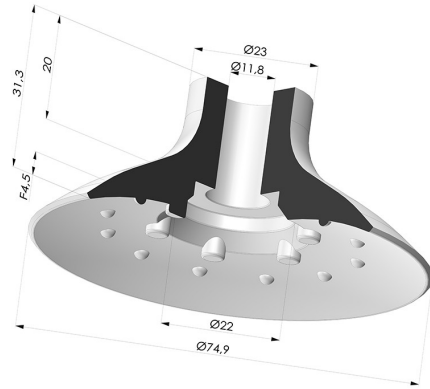


TECHNICAL INFORMATION

Arrow :	4.5 mm
Category :	Plates
Contact lip diameter :	74.9 mm
Height (in mm) :	31.3
Horizontal force :	189.69 N
inner barrel diameter :	11.8 mm
Mass :	34 g
Number of bellows :	0.5 Bellows
Range :	Suction cup
Series :	VPC
Shape :	Plate
Vertical force :	94.84 N
Volume :	14.90 cm ³



Variants:



Variant reference:

VPC 75SLT A

- Color: Translucent
- CE food certified
- Shore Hardness: SH60



Variant reference:

VPC 75MNT A

- Color: Bordeaux
- Matter: Non-staining material for plastics processing
- Shore Hardness: SH60



Variant reference:

VPC 75NI A

- Color: Black
- Matter: Nitrile
- Shore Hardness: SH50

Related products:



**Adaptor - Female
 G1/4" - Female
 G1/8"**

Product reference: 301
 048



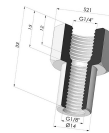
**Adaptor - Male 1/4G
 - Female 1/8G**

Product reference: 209
 048



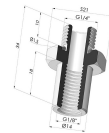
**Screw 1/8G - Head Ø
 22 mm - L 29.5 mm**

Product reference: M18



**Crimped Female
 Fitting G1/4"**

Product reference: N



**Crimped Male
 Fitting G1/4"**

Product reference: O